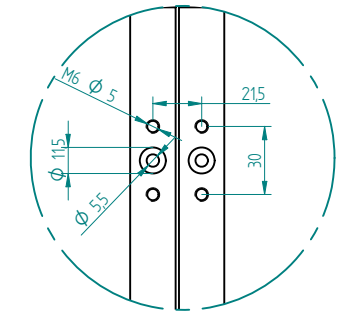
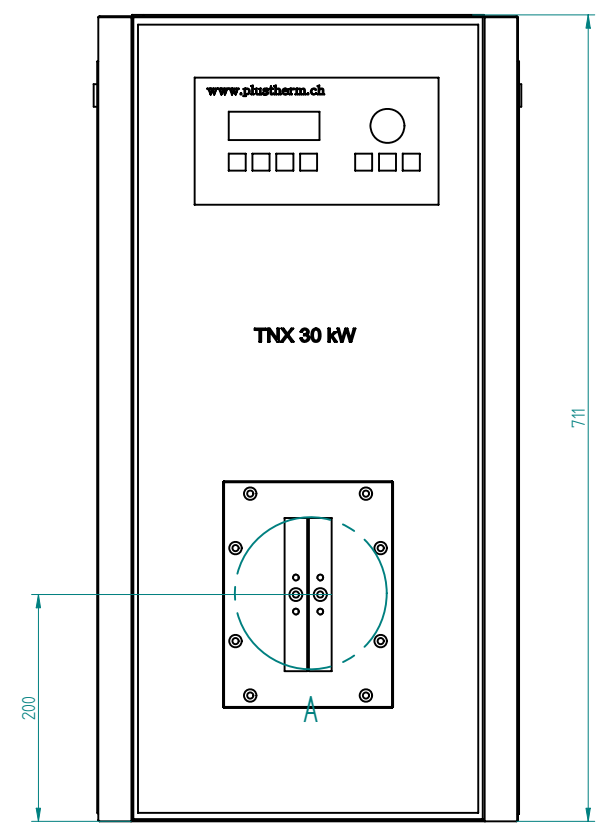
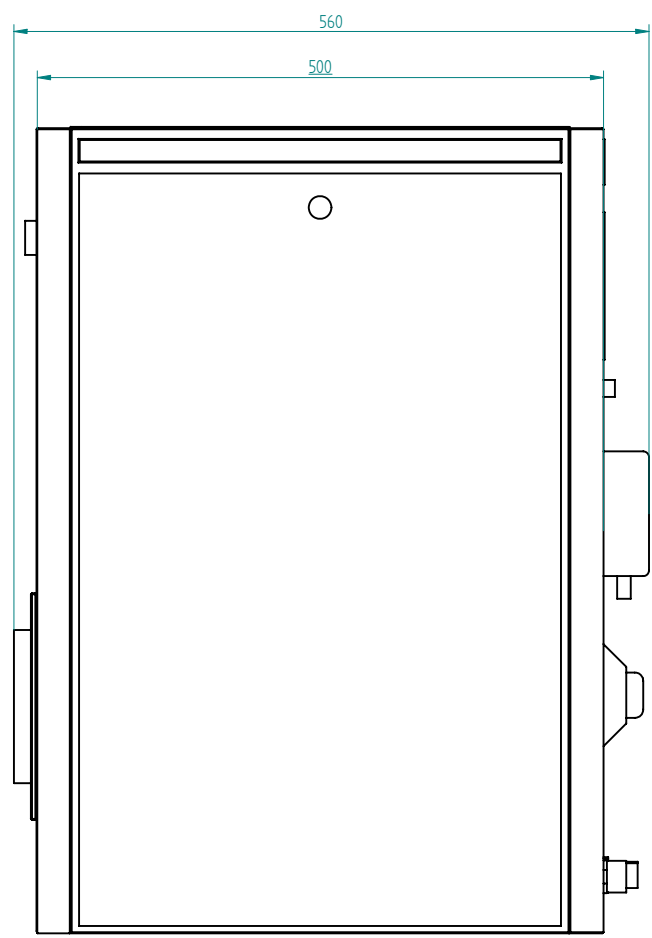
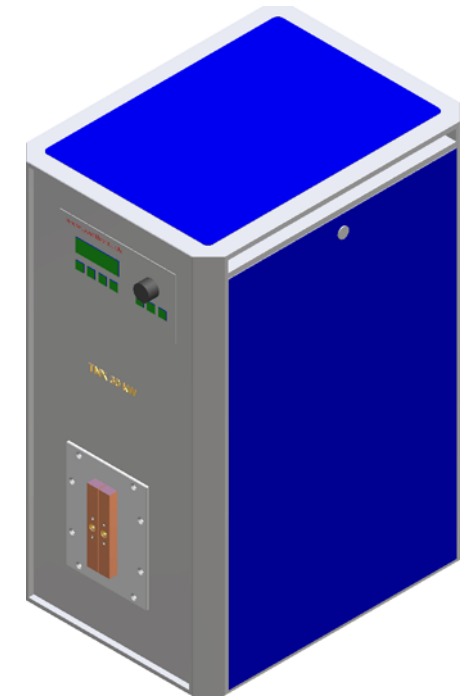
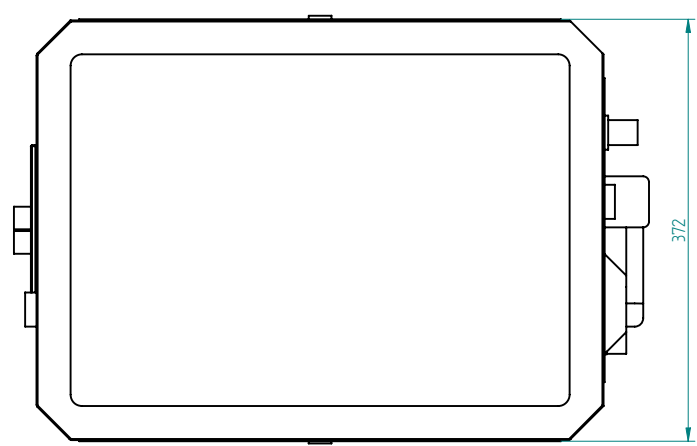


REVISION HISTORY			
REV	DESCRIPTION	DATE	APPROVED



EINZELHEIT A



	NAME	DATE	PLUS THERM www.plustherm.ch		
DRAWN	Rafkajec	07/03/07			TITLE
CHECKED					TNX 30
ENG APPR					
MGR APPR					
Plustherm Point GmbH Seminarstr.102 CH-5430 Wettingen			SIZE A2	DWG NO FILE NAME: TNX_30.dft	REV A.11
SCALE:	WEIGHT:	SHEET 3 OF 1			