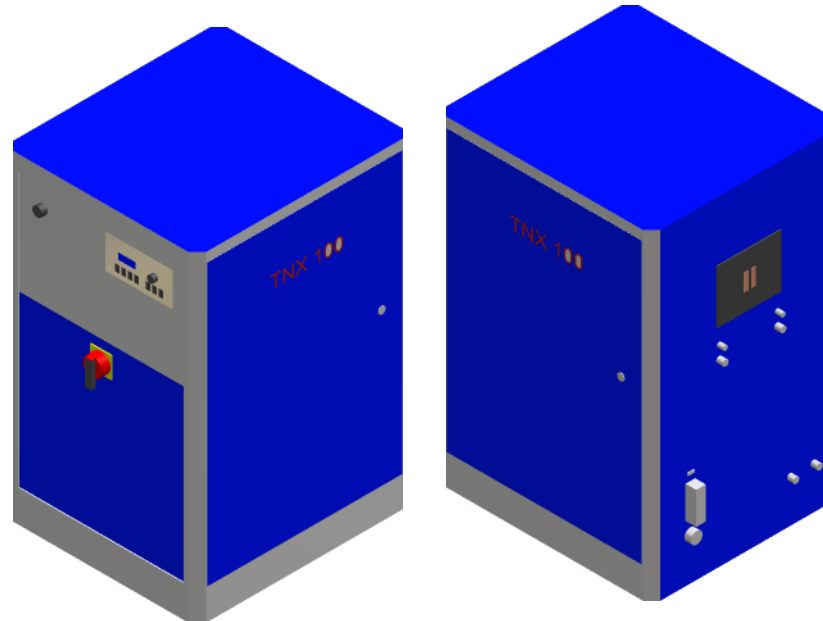
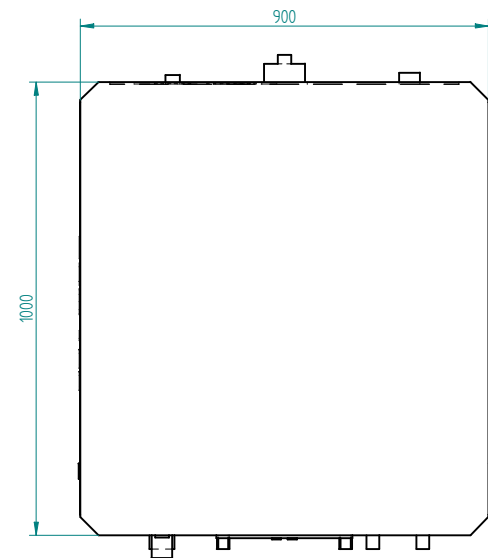


REVISION HISTORY			
REV	DESCRIPTION	DATE	APPROVED



DRAWN	NAME	DATE	PLUS THERM <small>POINT</small> www.plusthem.ch		
CHECKED	Rafkajec	07/21/08			
ENG APPR					
MGR APPR					
TITLE			TNX 100		
Plusthem Point GmbH Seminarstr.102 CH-5430 Wettingen			SIZE	DWG NO	REV
			A2		
			FILE NAME: Generator TNX 100 1.par.dft		
			SCALE:	WEIGHT:	SHEET 3 OF 1